

ER2SP Single Speed  
 Artikelnummer ER2SP Single Speed



Omschrijving

Met standaard 5 meter stroomkabel.  
 Vrijblijvende lengte van ketting, afstandsbediening en  
 lengte van stroomkabel.  
 Verlenging van ketting is strikt verboden.  
 Stalen ketting container op aanvraag.



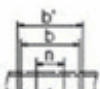
Standaard

Opties

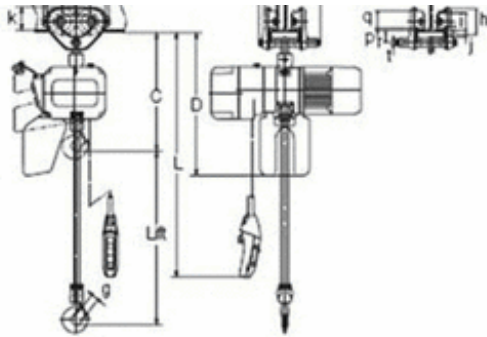
Type

Specifications

Capacity (t)	Product Code	Hoist Body	Standard Lift (m)	Push Button Cord L (m)	ER2				TSP				Test Load (t)	Net Weight (kg)	Additional Weight per 1m Lift (kg)	
					Lifting Motor		Load Chain	Classification ISO/FEM/ASME	Range Width B (mm)		Min. Radius Curve (mm)					
					Output (kW)	Rating (% ED)			Lifting Speed (m/min) 50Hz	Standard		Option				
		W20 (20mm)		W30 (305mm)												
125kg	ER2SP001H	B			0.56	60	14.1	4.3 x 1	M5/2m/H4	50 to 102	103 to 203	204 to 305	1100	156kg	32	0.42
250kg	ER2SP003S				0.9		9.1							313kg	42	
	ER2SP003H	0.9	13.4	42												
500kg	ER2SP005L	C			0.56	60	3.8	6 x 1	M5/2m/H4	50 to 102	103 to 203	204 to 305	1100	625kg	38	0.81
	ER2SP005S				0.9		7.3							42		
1	ER2SP010L	D	3	2.5	60	60	3.5	7.7 x 1	M4/1.5m/H4	58 to 127	128 to 203		1300	1.25	55	1.33
	ER2SP010S						7.1							62		
1.6	ER2SP016S	E			60	60	4.5	10.2 x 1	M4/1.5m/H4	58 to 127	128 to 203		1300	2	85	
2	ER2SP020L						3.7							86	2.3	
	ER2SP020S	7.0	105													
2.5	ER2SP025S	F			60	60	5.7	11.2 x 1	M4/1.5m/H4	58 to 127	128 to 203		1700	3.13	128	2.8
3.2	ER2SP032S	E			60	60	4.4	10.2 x 2	M4/1.5m/H4	58 to 127	128 to 203		1700	4	130	4.7
5	ER2SP050S	F		2.8	60	60	2.9	11.2 x 2	M4/1.5m/H4	100 to 178		179 to 305	2300	6.25	182	5.6



T



Dimensions (mm)

Capacity (t)	Product Code	Headroom C	D	a	b	b'	e	g	h	i	j	k	m	n	o	p	q	r	t	
125kg	ER2SP001H	395	470																	
250kg	ER2SP003S																			
	ER2SP003H			204	182	212	46	27	82	60	21	76	47.5	84	42		54	38	22	
500kg	ER2SP005L	415	530																	
	ER2SP005S																			
1	ER2SP010L	470	500	240	236	272	56	31	106	71	28	95	56	112	50	10	69	50	25	
	ER2SP010S																			
1.6	ER2SP016S	570						34												
2	ER2SP020L	635	600	300	280	316	69	39	127	85	34	112	71	131	63		83	62	32	
	ER2SP020S	650																		
2.5	ER2SP025S	680	890																	
3.2	ER2SP032S	780	910	320	324	374	79		148	100	36	134	80	152	74		102	68	36	
							44													
5	ER2SP050S	840		297	400	450	53	47	169	118	46	144	81	178	70		104	88	54	