

ER2M Single Lifting
 Artikelnummer ER2M Single Lifting



Omschrijving

Met standaard 10 meter stroomkabel.
 Vrijblijvende lengte van ketting, afstandsbediening en lengte van stroomkabel.
 Verlenging van ketting is strikt verboden.
 Stalen ketting container op aanvraag.
 De Single Lifting is ook verkrijgbaar als Dual Traversing.

Standaard

Opties

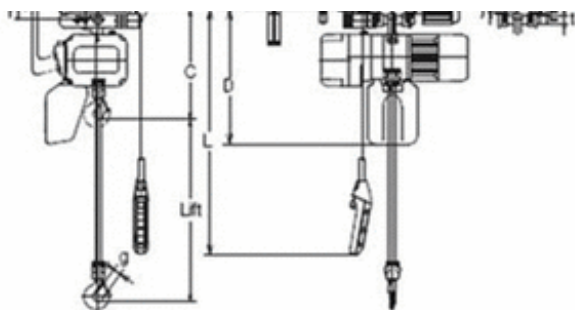
Type

Specifications

Capacity (t)	Product Code	ER2										MR2		Test Load (t)	Net Weight (kg)	Additional Weight per ton (kg)		
		Hoist Body	Stand. Lift (m)	Push Button Cord L (m)	Lifting Motor		Lifting Speed (m/min)	Load Chain Diameter * Chain Falls	Classification / ISO / ASME	Traversing Motor		Traversing Speed (m/min)					Range Width B (mm)	Min. Radius Curve (mm)
					Output (kW)	Rating (KvED)				Output (kW)	Rating (KvED)	Standard	Option W30 (300mm)					
125kg	ER2M001H-S/L	B			0.56	60	14.1	4.3 x 1								156kg	58	0.42
	ER2M003S-S/L																	
250kg	ER2M003H-S/L				0.9		13.4								313kg	68		
	ER2M005L-S/L																	3.8
500kg	ER2M005S-S/L	C			0.56		3.8	6 x 1	MS2m /Ht				58 to 153	154 to 305	600	625kg	68	0.81
	ER2M010L-S/L	0.9																
1	ER2M010S-S/L	D	3			60	7.1	7.7 x 1		0.4	40	20 (10)			1.25	77	84	1.33
	ER2M016S-S/L	1.8																
1.6	ER2M020L-S/L	E					3.7	10.2 x 1					82 to 178		2.5	111	129	2.3
	ER2M020S-S/L																	
2.5	ER2M025S-S/L	F					5.7	11.2 x 1	MS1Am /Ht				179 to 305		1000	3.13	152	2.8
3.2	ER2M032S-S/L	E																
5	ER2M050S-S/L	F					2.9	11.2 x 2		0.75				1800	6.25	202	5.6	

Note: The bracketed figures in Traversing Speed are low speed. The minimum radius curve may depend on range width. For further information, contact the nearest KITO dealer.





Dimensions (mm)

Capacity (t)	Product Code	Headroom C	D	b	d	e	e'	g	i	j	k	m	n	r	t
125kg	ER2M001H-S/L	375	450												
250kg	ER2M003S-S/L														
	ER2M003H-S/L							27							
500kg	ER2M005L-S/L	305	510	315	220	515	179		95	22	130	205	100	51	31
	ER2M005S-S/L														
1	ER2M010L-S/L	435	550												
	ER2M010S-S/L														
1.6	ER2M016S-S/L	505						34							
2	ER2M020L-S/L	570	630	325	225	520	184		110	27	125	212	118	60	36
		ER2M020S-S/L													
2.5	ER2M025S-S/L	620	830	340	226	521	186		125	20	131	215	132	68	43
3.2	ER2M032S-S/L	765	900												
5	ER2M050S-S/L	840	910	400	281	528	192	47	140	44	145	233	150	86	54