

ER2 Large Capacity
 Artikelnummer ER2 Large Capacity



Omschrijving

Met standaard 10 meter stroomkabel.
 Vrijblijvend voor de lengte van de ketting,
 afstandstandsbediening en lengte van de
 stroomkabel, of u wilt op aanvraag alles op
 standaard.
 Verlenging van ketting is strikt verboden.
 Op aanvraag met stalen ketting container.

Standaard

Opties

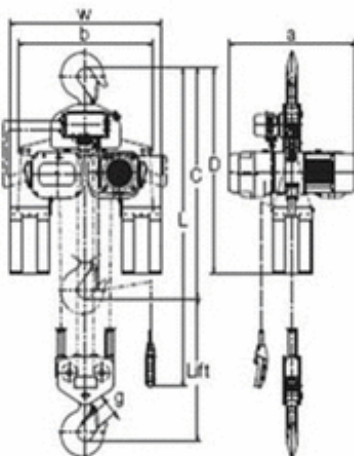


Type

Specifications

Capacity (t)	Product Code	Hoist Body	Standard Lift (m)	Push Button Cord L (m)	Lifting Motor		Lifting Speed (m/min)	Load Chain		Classification ISO/FEM/ASME	Test Load (kg)	Net Weight (kg)	Additional Weight per 1m Lift (kg)
					Output (kW)	Rating (%ED)		Diameter (mm)	Chain Falls				
10	ER2-100S			3.4			50Hz 2.0	11.2 x 4			12.5	303	11
15	ER2-150S	F	3		3.5x2	60	1.9	11.2 x 6	M4/1Am/H4		18.8	404	17
20	ER2-200S			3.7			1.4	11.2 x 8			25	476	22

Note: As for ER2-100L, the maximum lift is 6 m and the hoist starts slightly when the bottom hook lifts under a load, nevertheless no influence on its performance.



Dimensions (mm)

Capacity (t)	Product Code	Headroom C	D	a	b	w	g
10	ER2-100S	1370	1210		840	956	80
15	ER2-150S	1505	1520	798	1022	1120	86
20	ER2-200S	1710	1600		1198	1305	102